

# BIZERBA

... closer to your business



... Outstanding in every respect ...  
... 在各方面都表現卓越 ...

... Bizerba Logistics GLM-L and GLM-B labelling systems ...  
... 碧彩GLM-L和GLM-B物流貼標系統 ...

Product labelling that is capable of automation is a basic requirement for well-functioning logistics processes. Bizerba offers everything you need to do it from a single supplier: from the widest range of application options to the matching labels. Just right for the most diverse shapes, sizes and types of packaging.

对于一个功能完善的物流过程而言，产品自动贴标是一项基本要求。碧彩能够一站式地提供您所需要的：从最多的应用方案到相匹配的标签，适合于各种不同的形状、尺寸和包装形式。

## The wider range of solutions is decisive ... 更多的解决方案是决定性因素...

### Know-how for people and markets

满足市场和人工需求的技术

Bizerba labelling systems for production, warehousing and distribution logistics can apply labels to cartons and boxes in the most diverse materials, sizes and shapes using all common application techniques. Our solutions are focussed individually on the needs of specific processes, are absolutely industrial-strength and have proven themselves in virtually every industry – from food manufacturing to retail and capital goods

碧彩为生产、仓储和物流配送而设计的贴标系统，运用所有通用的应用技术，对各种不同材料、尺寸和形状的包装盒和纸箱进行贴标。我们的解决方案聚焦于每一个具体流程的要求，定位于工业应用，事实上在食品加工行业、零售行业及物流行业都有广泛的应用。



**BIZERBA**

■ ... closer to your business

## Confronting practicalities head-on

### 积极应对实际问题

We understand your business and, having successfully completed a large number of projects, are familiar with the whole spectrum of optimisation potential. Our applications team will be happy to develop a replacement plan for your legacy equipment and support you with the introduction of new technologies.

我们理解您的业务，也有很多项目的成功经验，并熟知优化潜力的整个过程。我们的应用团队非常乐于为您开发一套旧设备的更换方案，为您引入新技术提供支持。

It's good to know at all times what can be produced and delivered when, where, in what volume, what quality and at what cost. RFID readers scan goods marked with Bizerba RFID labels both individually and in batches at up to 500 scans a second.

理想的情况应是，随时都能知道生产的是什么产品，在何时何地以什么体积和质量来发货，相关费用是多少。RFID读取器可以扫描贴有碧彩RFID标签的货物，单件扫描或者批量扫描都可以，最高扫描速度达到每秒500次。

## Smart solutions at work

### 工作现场的灵活解决方案

The labels use high-quality print images and can be designed in every True-Type font. They can also be equipped with a transponder for data storage (EPCglobal/UHF) and are suitable for intelligent applications e.g. in production, warehousing and distribution logistics. Their great process efficiency, flexibility and functionality give you a decidedly competitive advantage – and let you keep using existing IT infrastructure.

标签采用高质量的打印图片，可以设计不同的字体。还可配备转发器来存储数据（EPCglobal/UHF），适用于生产、仓储和物流配送等环节中的智能应用。出色的过程效率、灵活性和功能，让您更具竞争优势 – 而且可以继续使用现有的IT设施。



## Labelling technology from the professionals 专业的贴标技术

Automatic Bizerba labellers make it easy for you. They can be smoothly integrated into conveyor equipment and data systems and ensure the error-free labelling of all packages from boxes to pallets. Our know-how in appliance technology combined with our expertise in designing labels and stickers are virtually unrivalled in the industry.

碧彩自动贴标机让您的工作更简单。贴标机可以极其方便地集成到传送设备和数据系统中，确保无差错地为纸箱和托盘等包装物贴标。我们在贴标技术上的专业能力，以及在标签设计和粘着剂方面的专长，是我们与众不同之处。

Our range of logistics labels from our own production facility stretches from standard labels for marking all standard codes to the RFID label that can be written on all Bizerba labellers with Easy-Link RFID. On printing systems they ensure higher throughput, optimal barcode readability and perfect adhesion at high printing speeds. Thanks to their outstanding cleaning efficiency they also contribute to ensuring the maximum availability of the entire marking system.

我们自己生产物流标签，包括用于打印标准代码的标准化标签，和RFID标签，该RFID标签可用Easy-Link RFID技术由所有碧彩贴标机写入数据。我们的打印系统能确保在高速打印时获得更高的出纸率、更好的条形码可读性和最佳的粘着性。设备出色的清洁效率确保了整个贴标系统的顺畅运转。



## Clearly better with RFID coding RFID标签效果更佳

**RFID labels offer decisive advantages:**  
RFID标签具有明显优势：

- No line of sight required between reader and label  
数据读取器和标签之间无需瞄准线
- Identifiable in wet or soiled condition  
在潮湿或脏污环境中亦可识别
- Can be altered during identification  
在识别过程中可以改变



**BIZERBA**  
■ ... closer to your business

Whether stand-alone or integrated into a weighing and conveying system, the fully automated Bizerba GLM-L labeller proves just how good it is, particularly in the tough world of logistical applications.

不论是单独使用，还是集成到称重和传输系统中，碧彩GLM-L全自动贴标机都能表现出众，尤其是在复杂的物流应用中。

## ... Simply lots of options ...

## ... 拥有众多选择 ...

### Flexibility to the power of three 三种可能性

The GLM-L is characterised by its simple configuration and user friendliness. Even maintenance work is extremely cost effective and time saving due to the Bizerba e-Services. And thanks to the application of RFID labels, users also enjoy decisive competitive advantages in the fields of production, warehouse and distribution logistics, since visual contact between the reader and label is not necessary for further processing.

GLM-L的特点在于简单的配置和简易的操作。维护成本极低，并可通过碧彩e-Services功能节省您的时间。采用RFID标签，由于其数据读取器和标签之间无需视觉接触，因而能在生产、仓储和物流配送领域给用户带来决定性的竞争优势。

Up to A5 size labels in direct thermal or thermal transfer print quality can be applied. Moreover, in combination with an optional RFID unit, the labeller can also write and verify so-called smart labels in real time.

以热敏打印技术或热转印打印技术最大可打印尺寸为A5的标签。而且，通过加装一个选配的RFID单元，贴标机还可以实时写入和辨识智能标签。

GLM-L 1T piston application  
GLM-L 1T活塞式  
GLM-L 1T air jet application  
GLM-L 1T吹气式  
GLM-L 1T rotary application  
GLM-L 1T旋转式



GLM-L 1S piston application  
GLM-L 1S活塞式  
GLM-L 1S air jet application  
GLM-L 1S吹气式  
GLM-L 1S rotary application  
GLM-L 1S旋转式  
GLM-L 1T rotary application  
GLM-L 1T旋转式



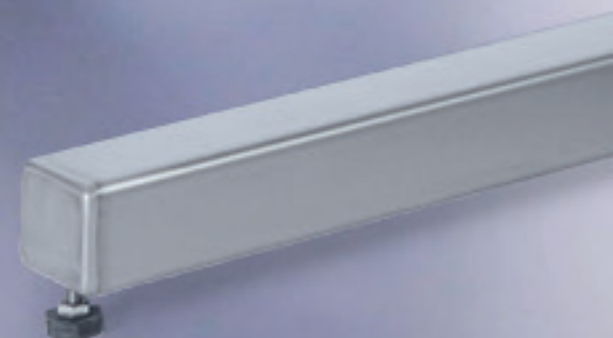
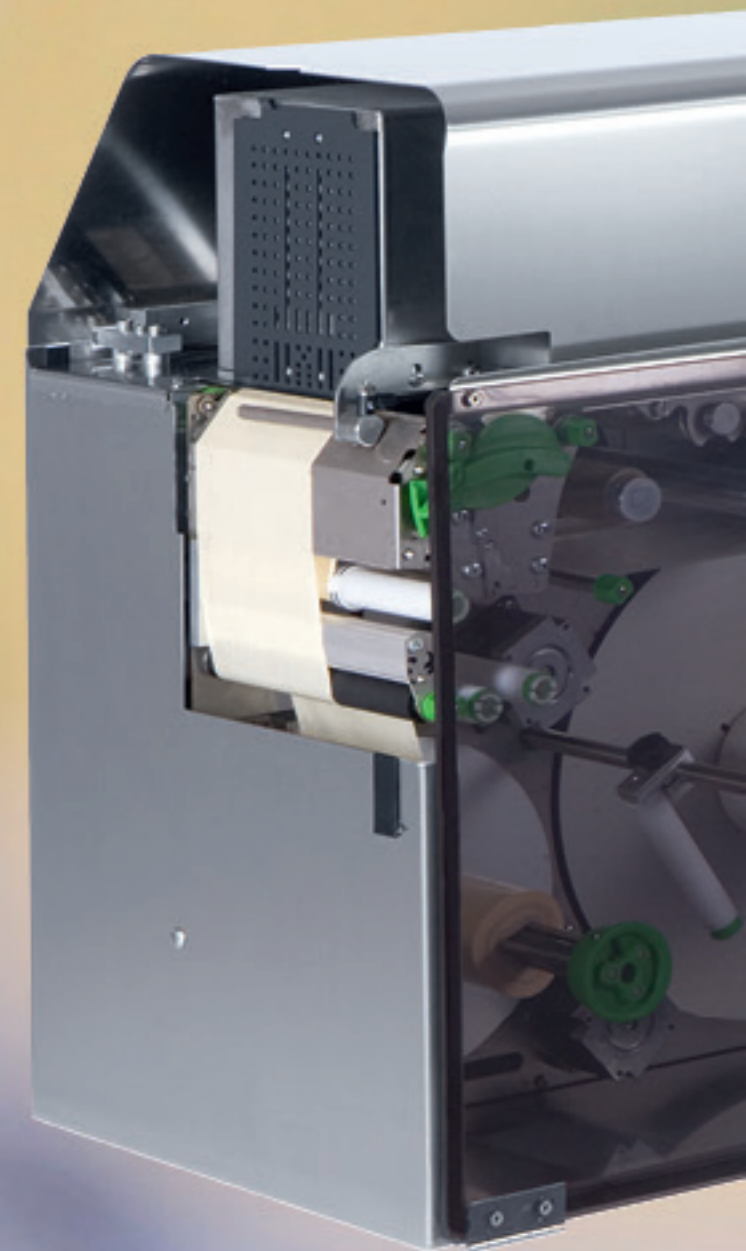
GLM-L 1S rotary application  
GLM-L 1S旋转式



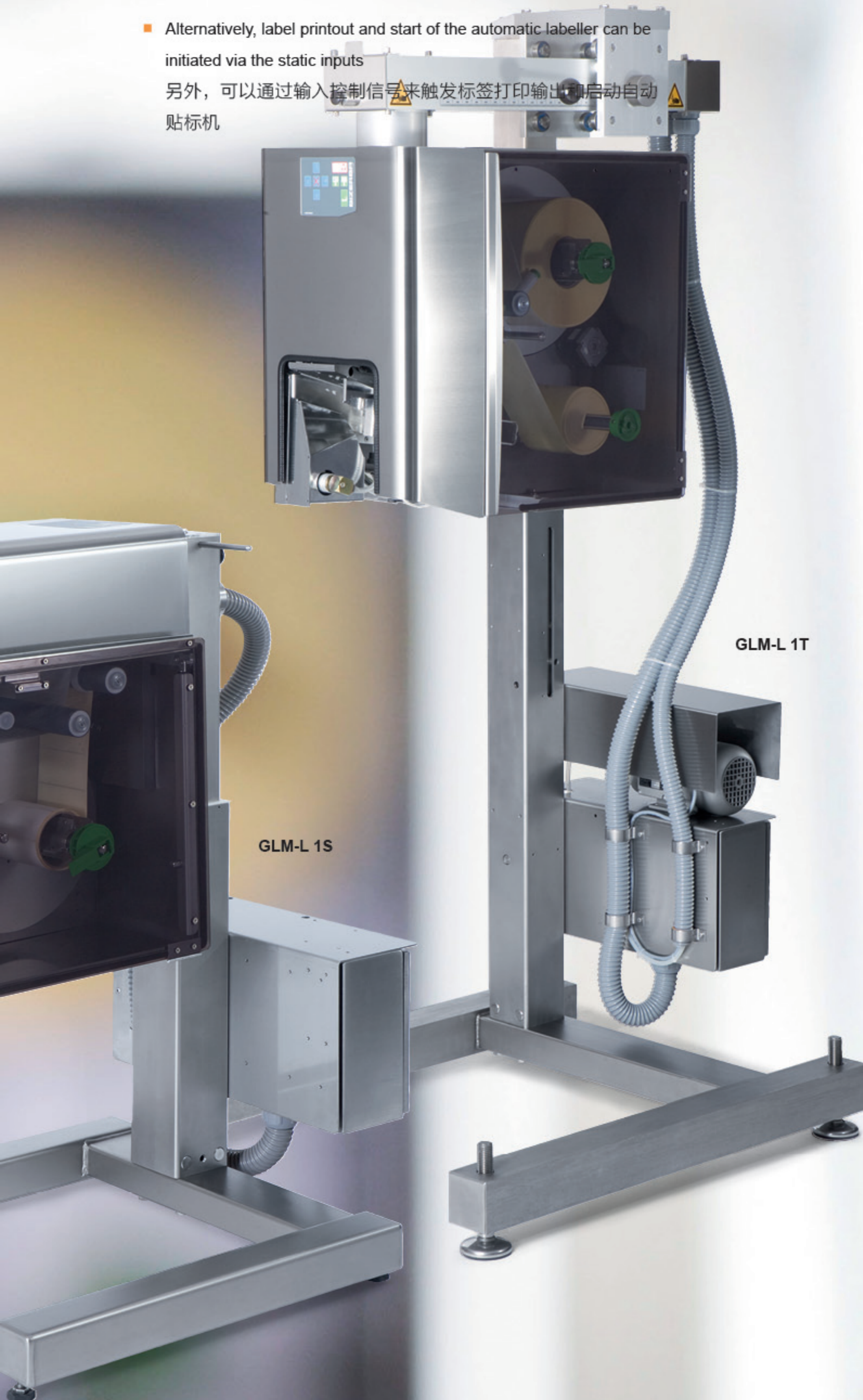
There are three labelling systems to choose from when affixing self-adhesive labels with the Bizerba GLM-L, each one is suited to either continuous flow or start/stop operation:

碧彩GLM-L贴标机共有三种贴标方式可供选择，来打印不干胶标签，每种都适用于连续运行或开启/停止操作模式：

- Air jet applicator: 吹气式贴标:
  - top of package/box (GLM-L 1T)
  - 包装/箱子上面 (GLM-L 1T)
  - side of package (GLM-L 1S)
  - 包装侧面 (GLM-L 1S)
- Rotary applicator: 旋转式贴标:
  - side, top or front end of package/box (GLM-L 1T)
  - 包装/箱子的侧面、上面或前面 (GLM-L 1T)
  - side of package (GLM-L 1S)
  - 包装侧面 (GLM-L 1S)
- Piston applicator: 活塞式贴标:
  - top of package/box (GLM-L 1T)
  - 包装/箱子上面 (GLM-L 1T)
  - side of package/box (GLM-L 1S)
  - 包装/箱子侧面 (GLM-L 1S)



- The configuration and input of all print data can be easily executed via the separate touch-terminal Bizerba GT-12 C, or online  
 通过外接的触摸式终端GT-12C或者在线网络，可方便地设置和输入所有打印数据
- Several devices can be operated simultaneously within a network via one central touch-terminal  
 多台设备可以在一个网络中通过一个中央触摸式终端来同步操控
- Alternatively, label printout and start of the automatic labeller can be initiated via the static inputs  
 另外，可以通过输入控制信号来触发标签打印输出和启动自动贴标机



The right solution  
 for every specification  
 适合于每一特定应用的正确解决方案

Application top side  
 Contact application  
 上面贴标接触式应用



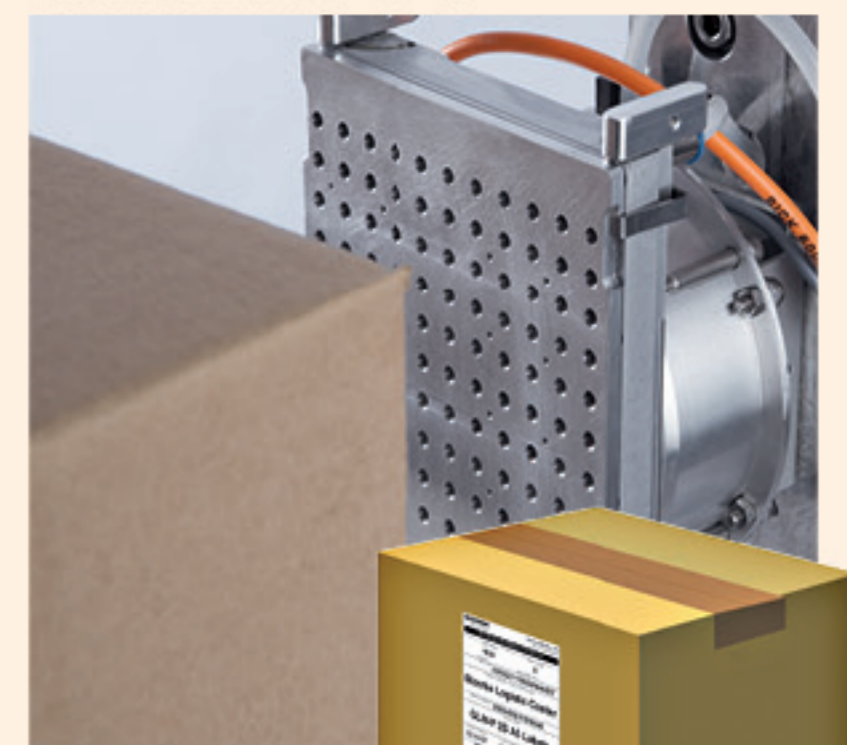
- GLM-B 350 T
- GLM-B 700 T

Application front side  
 Contact application  
 前面贴标接触式应用



- GLM-B 150 F

Application long side  
 Tamp blow application  
 侧面贴标夯实吹式应用



- GLM-B 350 S
- GLM-B 700 S

Easy to use, low downtime and high compatibility with other systems – the ultra-flexible print dispensing system Bizerba GLM-B has a lot going for it. Especially as it's great value for money and is always equipped with the right applicator.

操作简便，故障率低，与其他设备的良好兼容性、灵活性极高的碧彩GLM-B贴标系统拥有众多优点。特别是它物超所值，总是装备了适用的贴标头。

## ... More flexibility in your applications ...

### ...应用更灵活 ...

#### Attractive marking with fixed and variable components

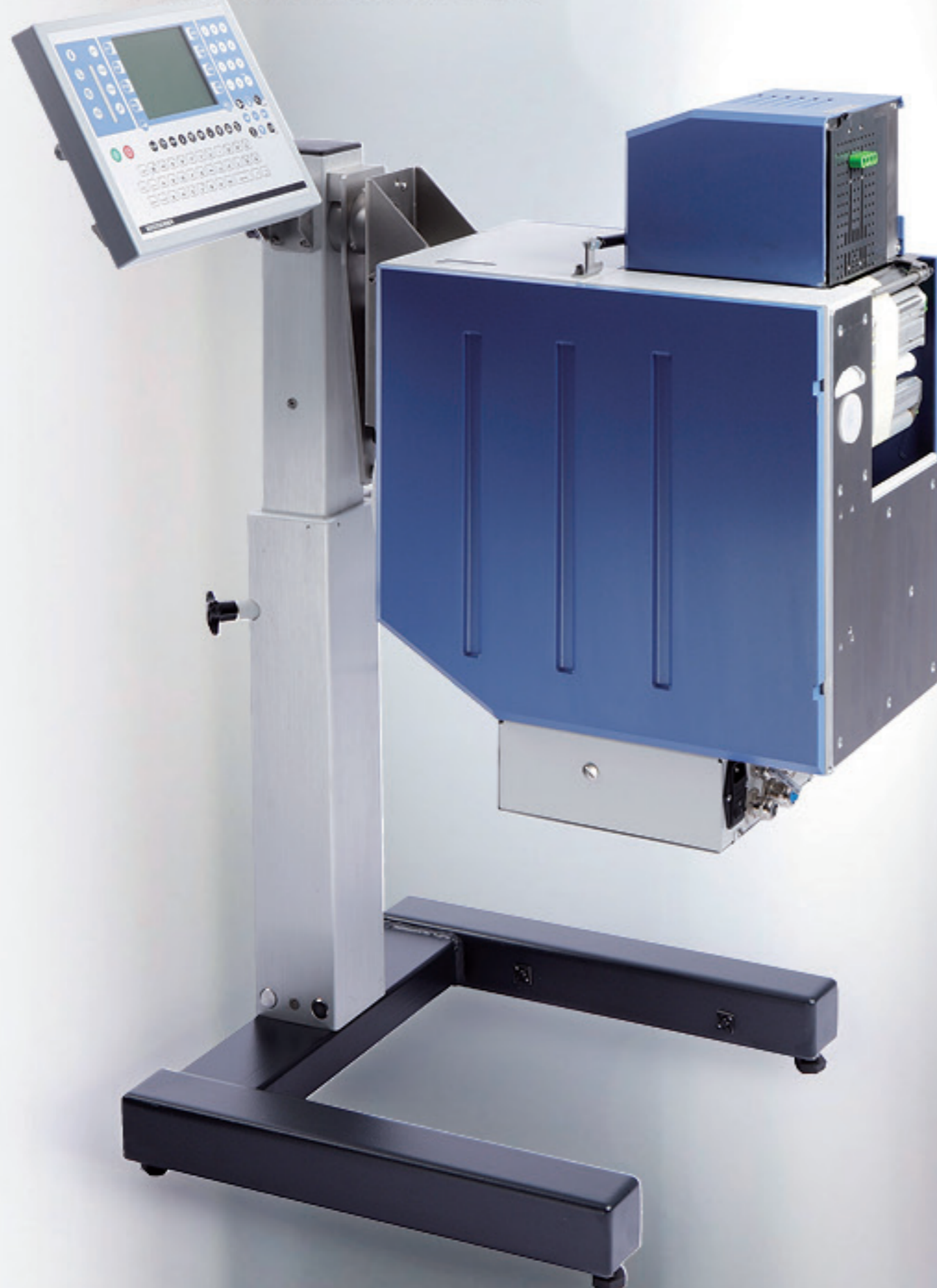
出众的贴标技术，有标配和选配的组件

The GLM-B series can be used as separate belt labeller in standalone operations or controlled directly from IT systems. Thanks to Bizerba's system concept it is also suitable as a sum printer for pricing and checkweighing lines. It brings its own intelligence to the job as well – with article, text and layout memories as well as Numerators.

GLM-B系列可作为独立的贴标机单独运作，也可以由IT系统直接控制。利用碧彩的系统概念，它还适用于作为计价和自动检重生产线的总计打印机。它还能智能地处理很多工作 - 如物品、文字、标签设计存储和计数器功能。

It can be smoothly integrated into existing conveyor technology so that the Ethernet-enabled GLM-B can also be used in connection with the Bizerba CWL Eco dynamic scales and in Bizerba DWS (dimensioning, weighing, scanning) systems.

GLM-B可以顺利地集成到现有的输送系统中，它的以太网功能也可以用来连接碧彩CWL Eco检重秤和碧彩DWS（体积测量、称重和识别功能）系统。



GLM-B 120 S

GLM-B 120 T piston application  
GLM-B 120 T 活塞式  
GLM-B 120 T air jet application  
GLM-B 120 T 吹气式



GLM-B 120 S piston application  
GLM-B 120 S 活塞式  
GLM-B 120 S air jet application  
GLM-B 120 S 吹气式



GLM-B 120 T

GLM-B 120 S

## Ideal entry into automated labelling

### 理想的入门级自动贴标机

The GLM-B series is ideally suited to printing decorative labels in a direct thermal or thermal transfer process. They apply them contact-free and without damaging the product in sizes of up to 120 mm x 150 mm using a blow applicator and in sizes of up to 100 mm x 100 mm by stamp applicator. With stamp applicators using tamp-blow or contact methods sizes of up to 210 mm x 150 mm can be achieved. The most diverse label sizes can be applied using one and the same applicator. The Bizerba logistics labellers communicate via ZPL II protocol, Bizerba Gx-Net or Windows printer drivers.

GLM-B系列是非常理想的设备，可以热敏或热转印技术打印具有装饰性的标签。非接触式打印，不会损害产品，吹气式贴标的最大标签尺寸120mm×150mm，活塞式贴标的最大标签尺寸100mm×100mm。活塞式贴标时，如果采用夯实吹式或者接触式来打印标签，最大尺寸可达210mm×150mm。The most diverse label sizes can be applied using one and the same applicator. 采用1个或同样的打印头即可打印多种尺寸的标签。碧彩物流贴标机采用ZPL II通讯协议、碧彩Gx-Net或Windows打印机驱动程序。

## Versatility is king

### 功能多样才是王道

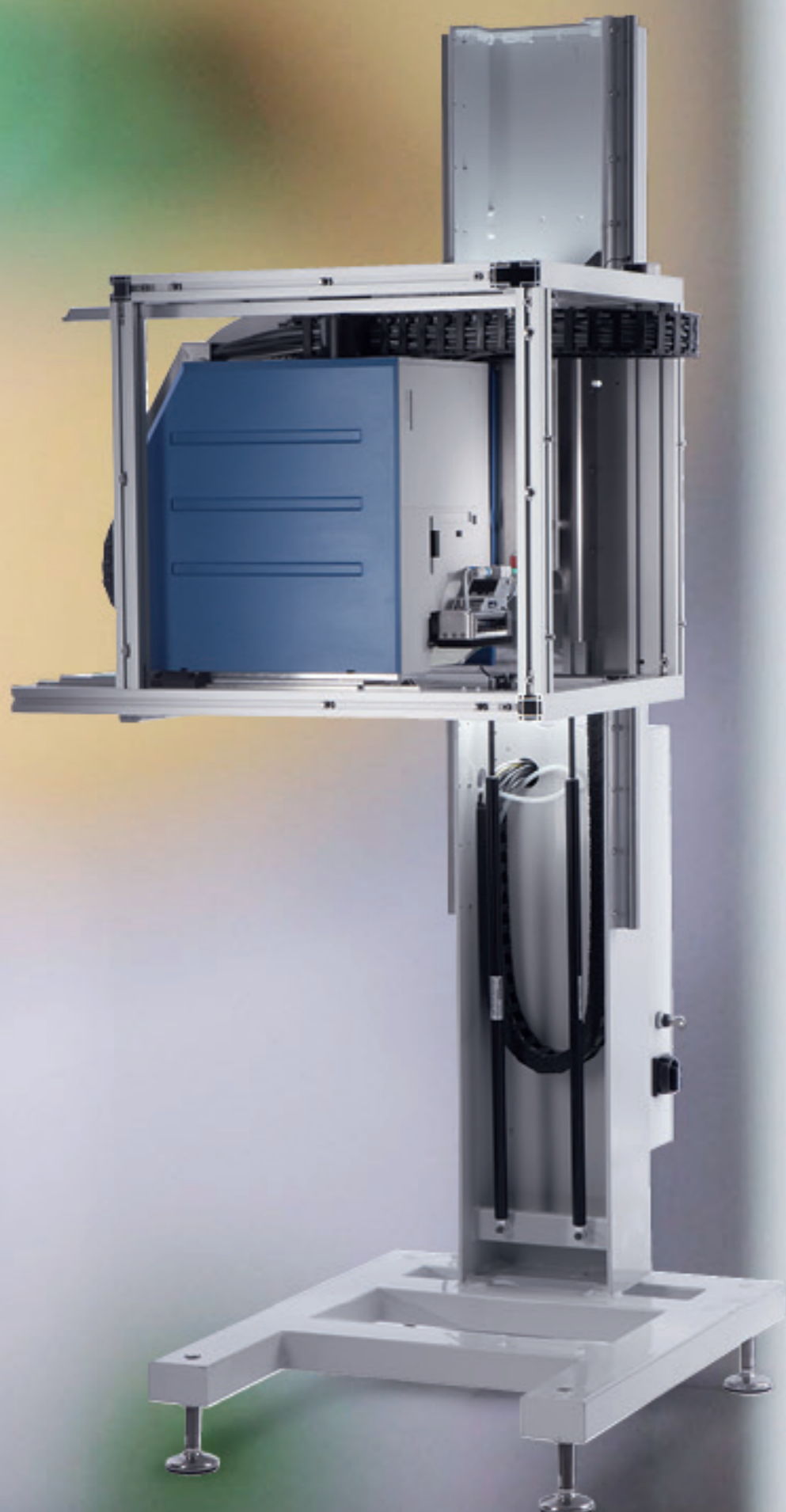
For labelling the most diverse formats – also in dynamic weighing operations – there is the GLM-B series with the GLM-B 120, 150 F, 350 and 700 models. They ensure the ideal processing of variously sized packages in any sequence.

可打印多种格式的标签 – 也可用于动态称重过程中 – GLM-B系列贴标机有120, 150F, 350和700四个型号，多种选择确保能够完美地处理在任何流程中的不同尺寸包装物的贴标。

## The highlights of this labelling system include:

### 贴标机的优点一览：

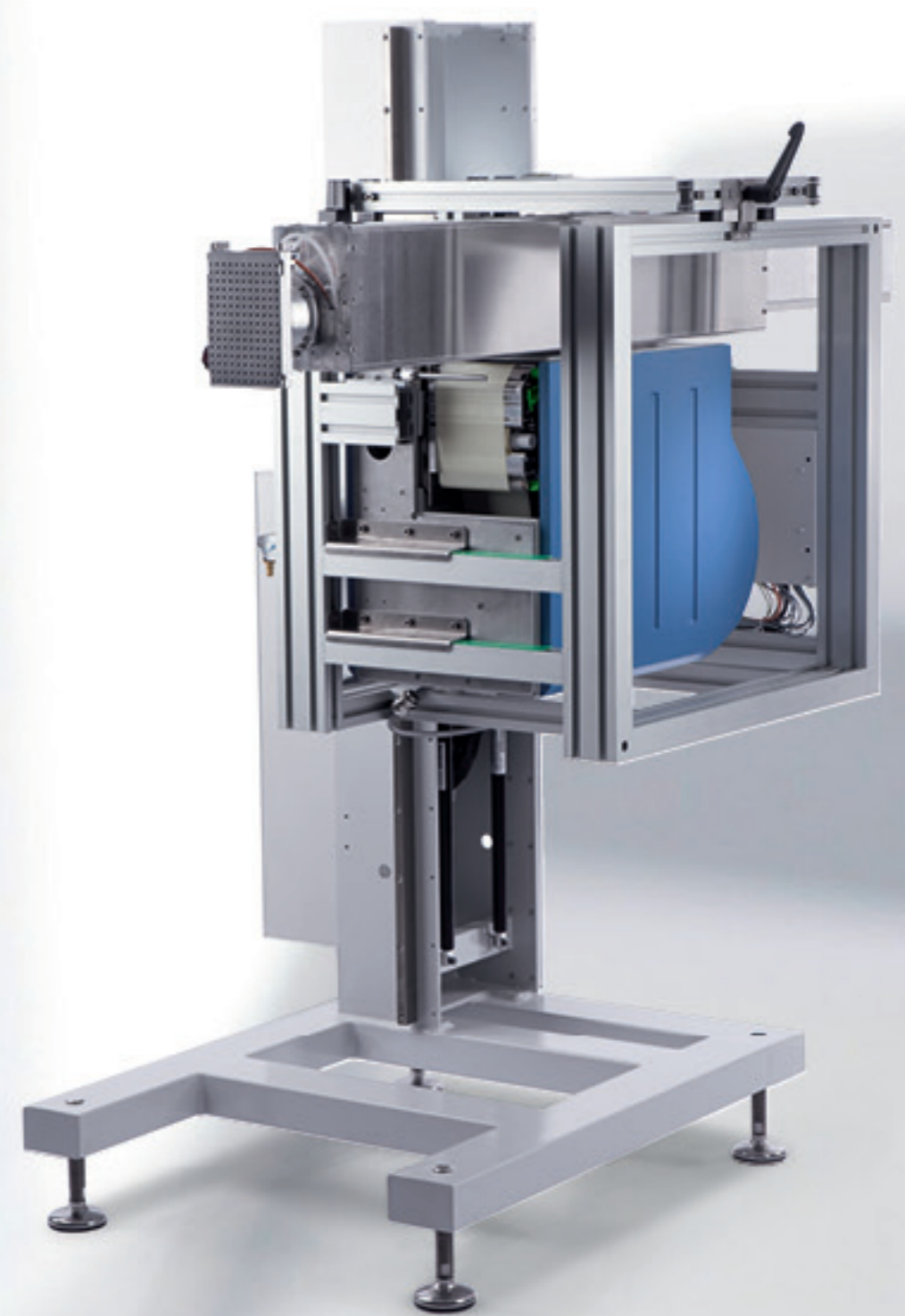
- Up to 700 mm stroke length for stamp applications from the side and top  
活塞式贴标的行程长度可达700mm，可进行侧面或上面贴标
- A swing-arm application with 130 mm radius for labelling from above, the bottom, the side and in the direction of transport  
旋转臂式贴标的转臂半径为130mm，可进行上面、底面、侧面和前面贴标
- The best solution for each application  
为每一应用提供最佳的解决方案
- Labels up to 200 mm x 150 mm can be processed  
标签尺寸最大200mm×150mm
- Fast label-switching system  
快速标签替换系统



GLM-B 150 F

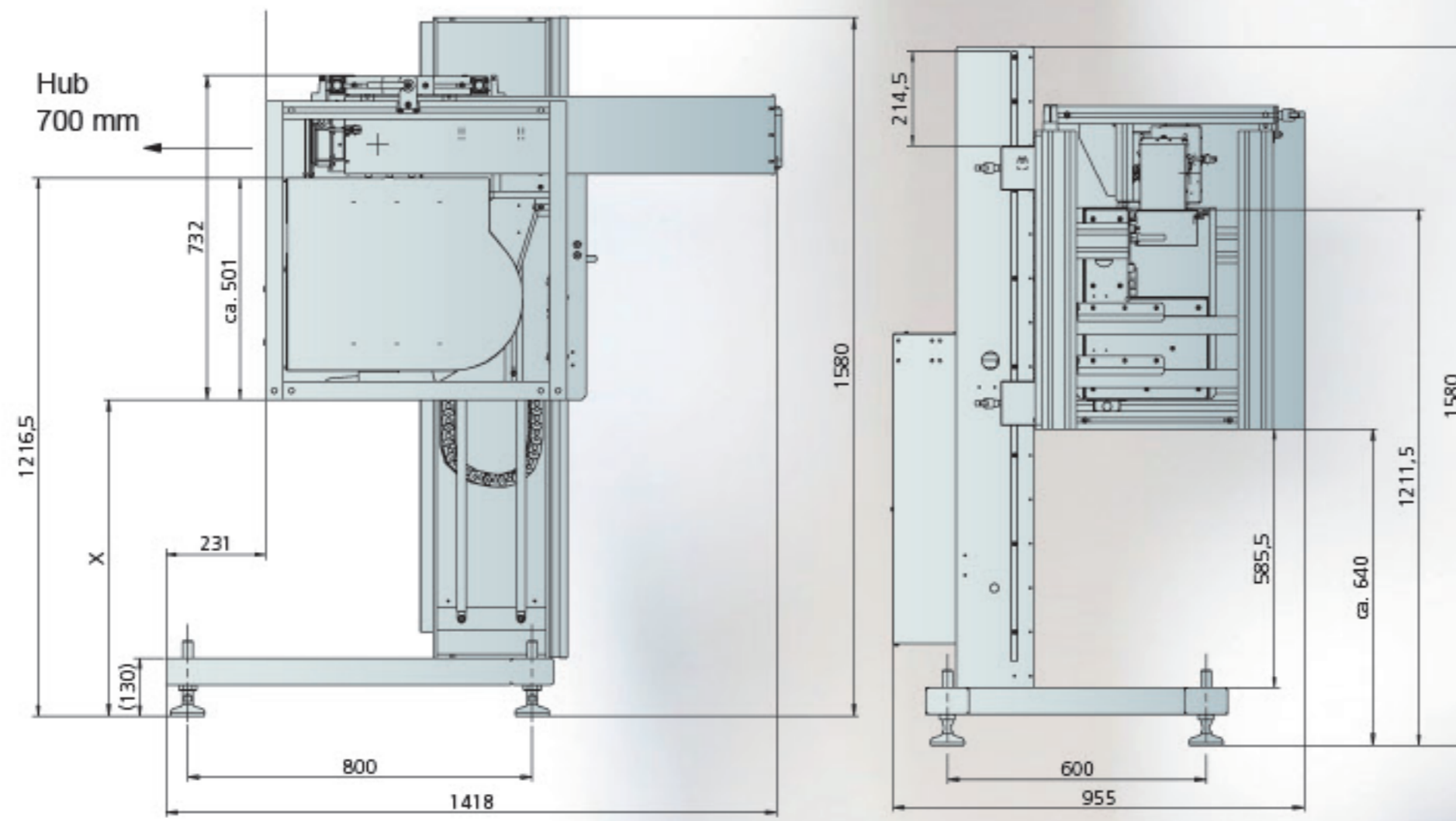


GLM-B 700 T

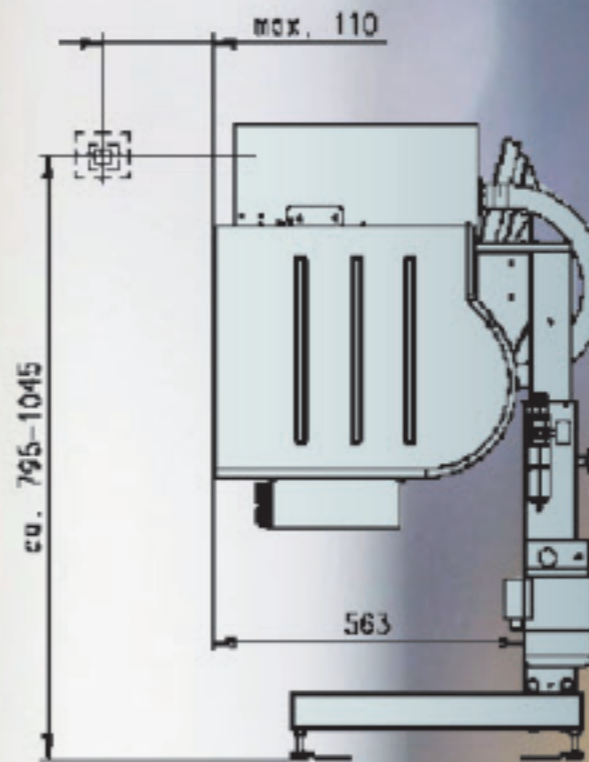
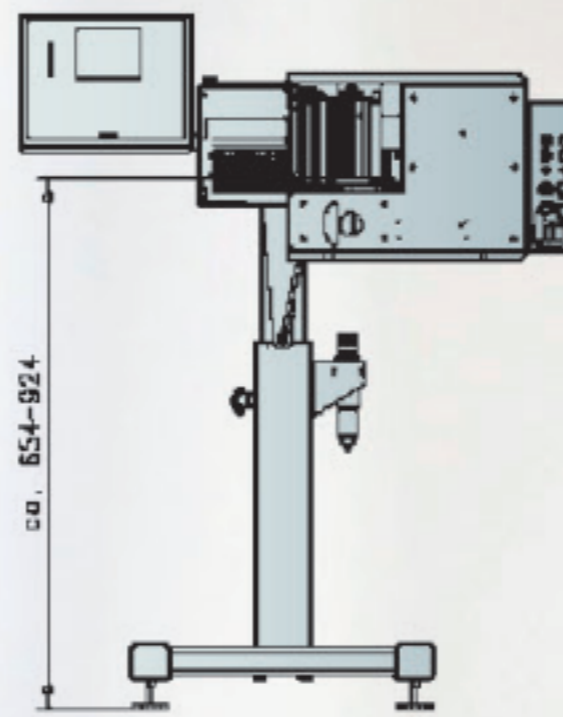
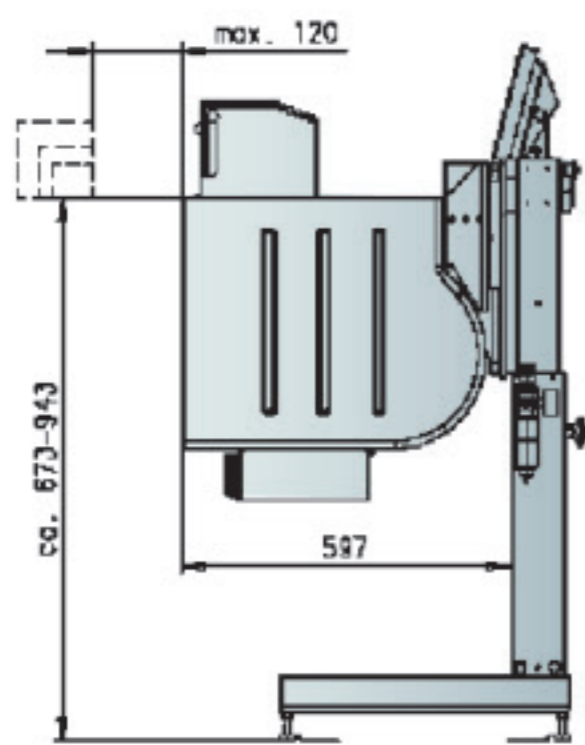


GLM-B 700 S

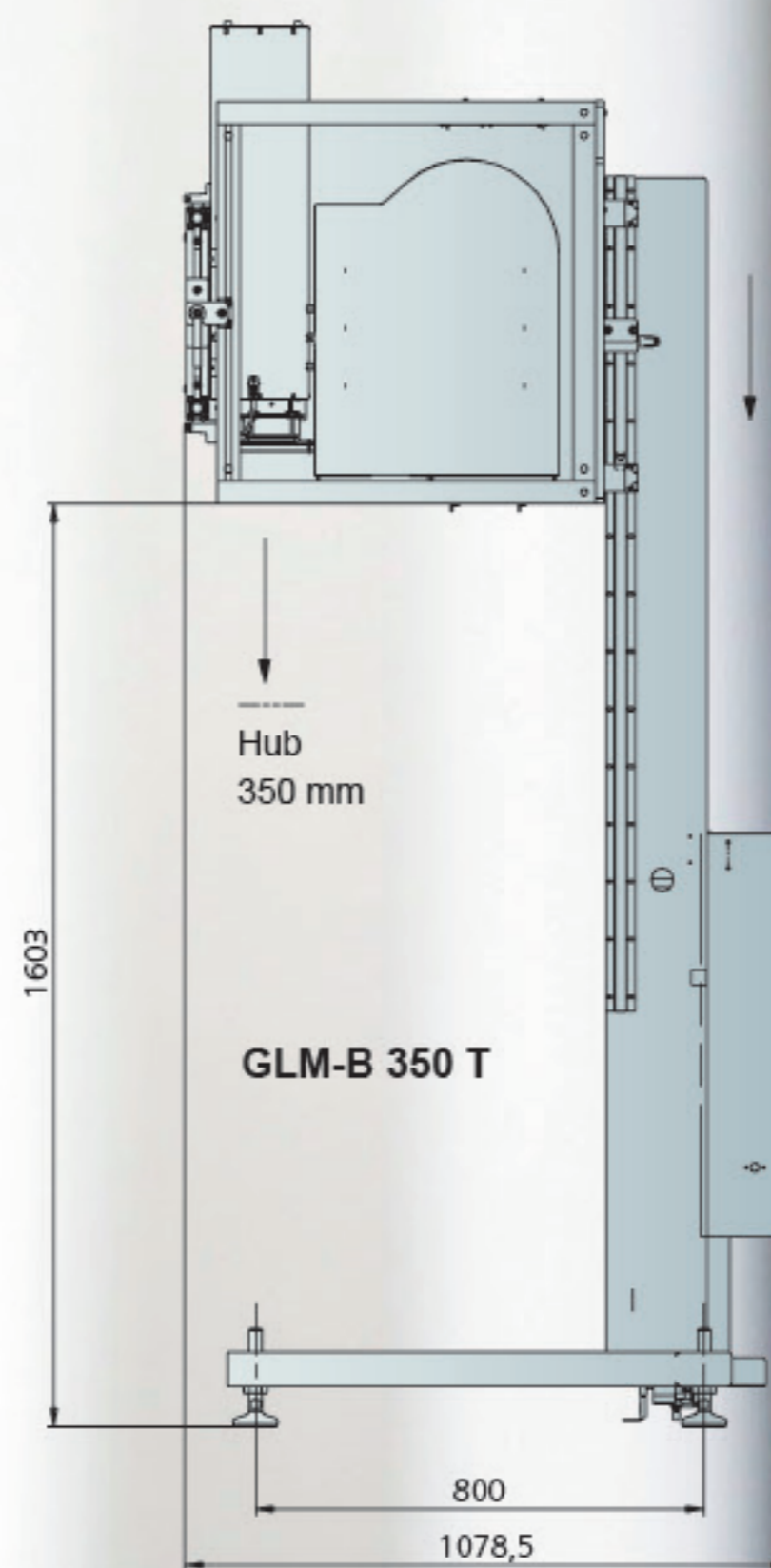
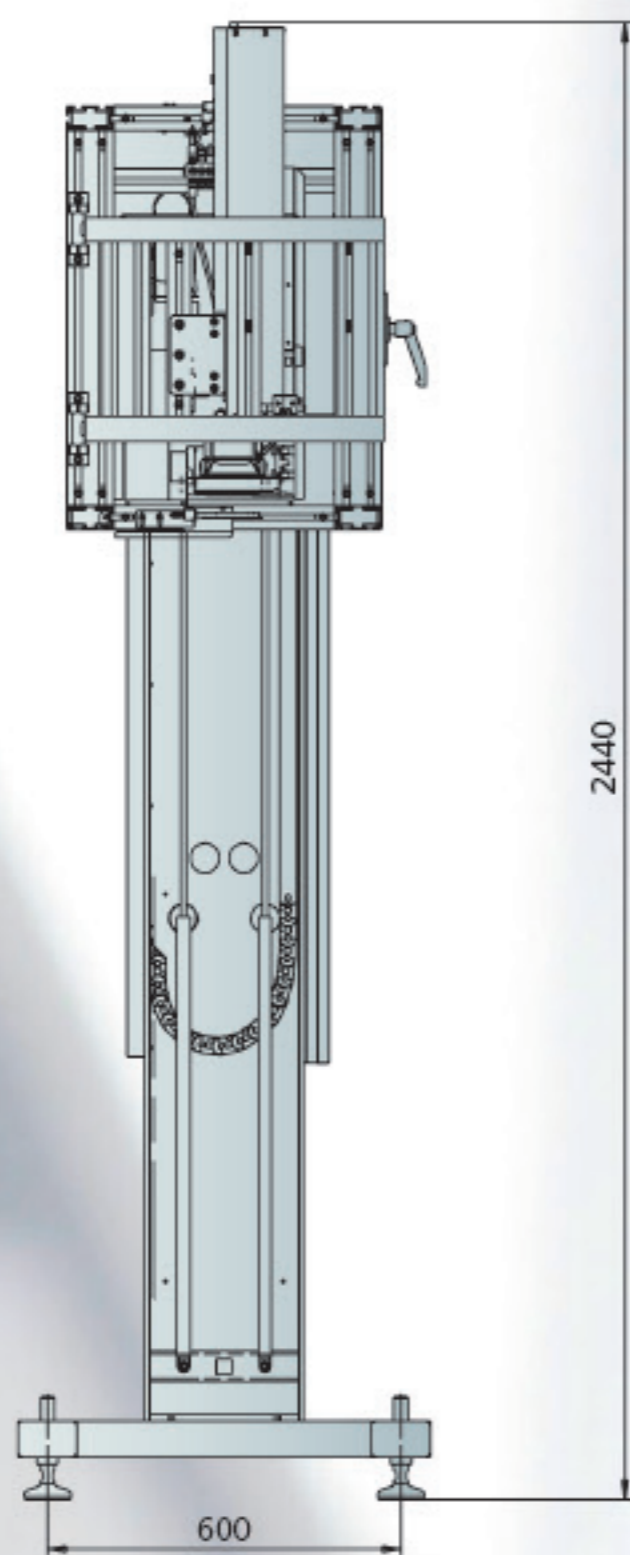




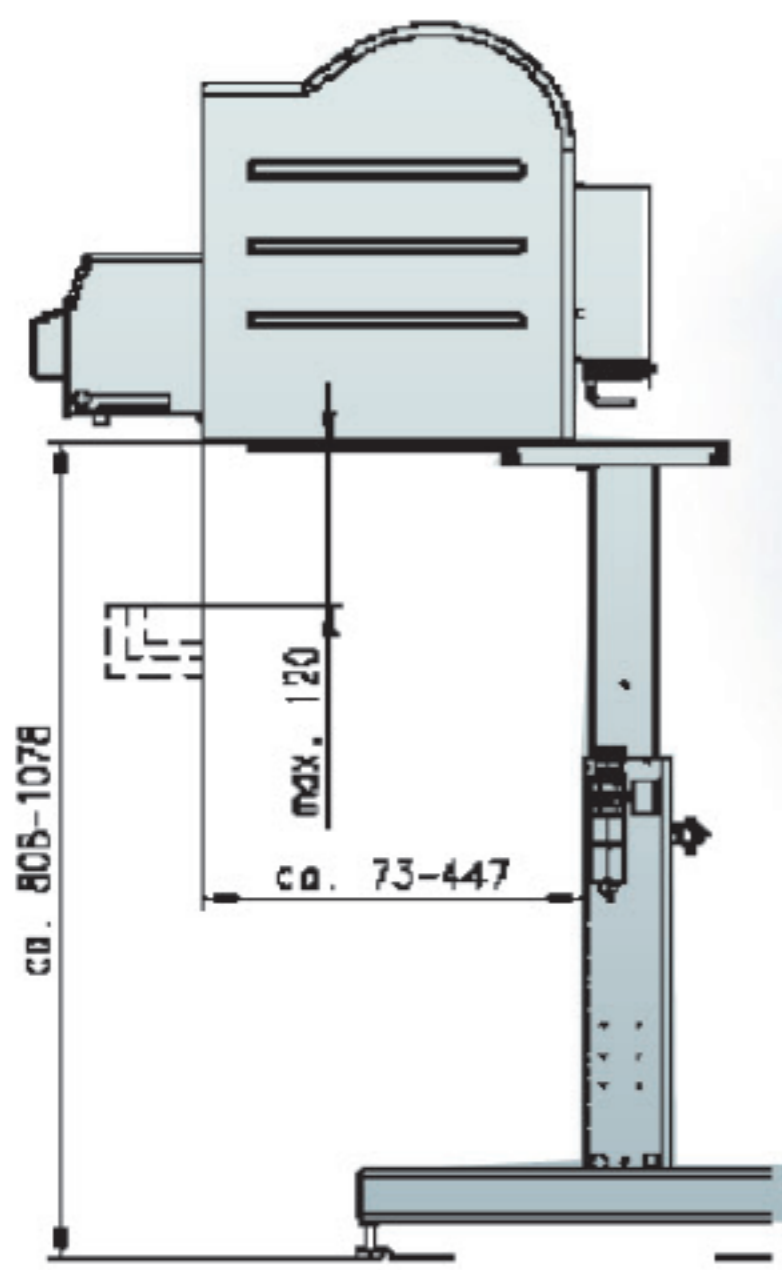
**GLM-B 700 S**



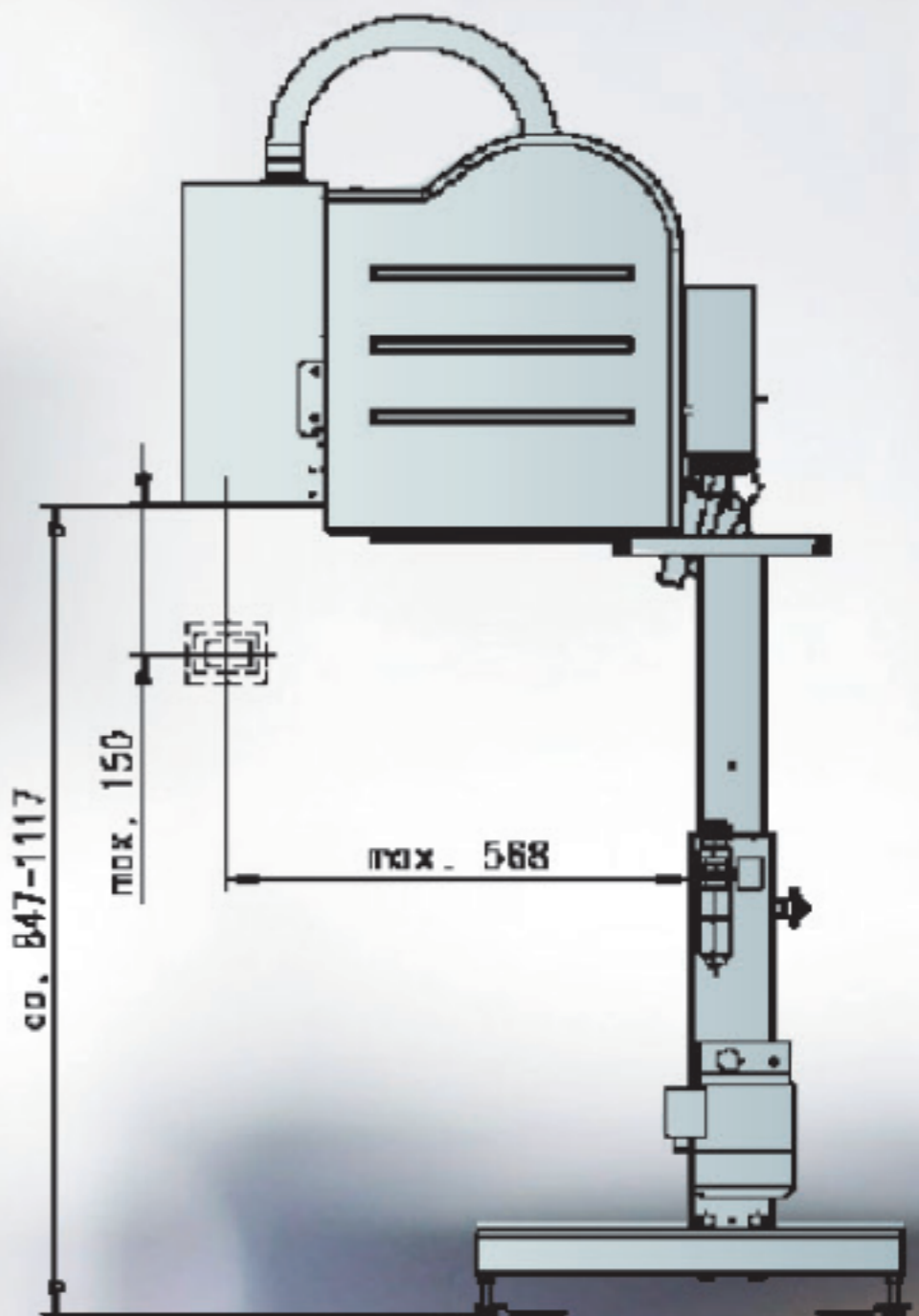
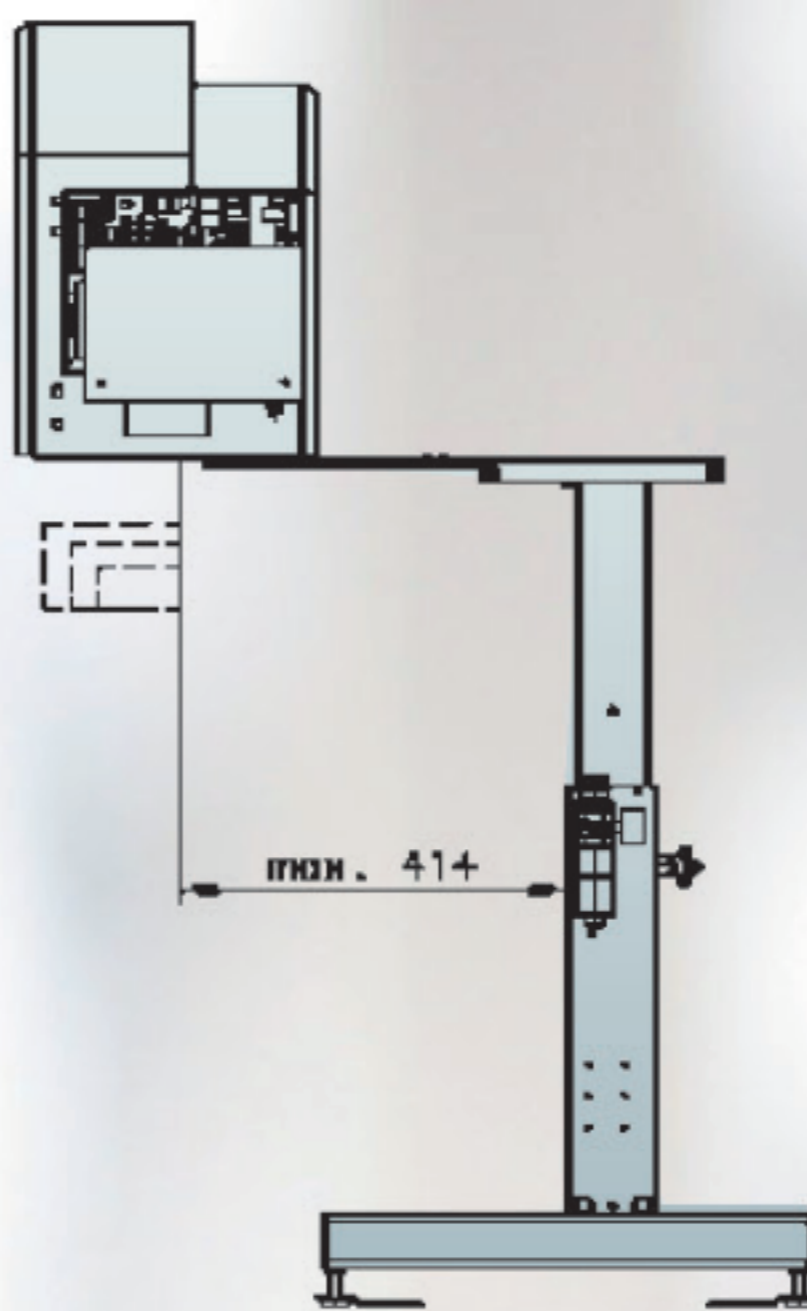
**GLM-B 120 S**



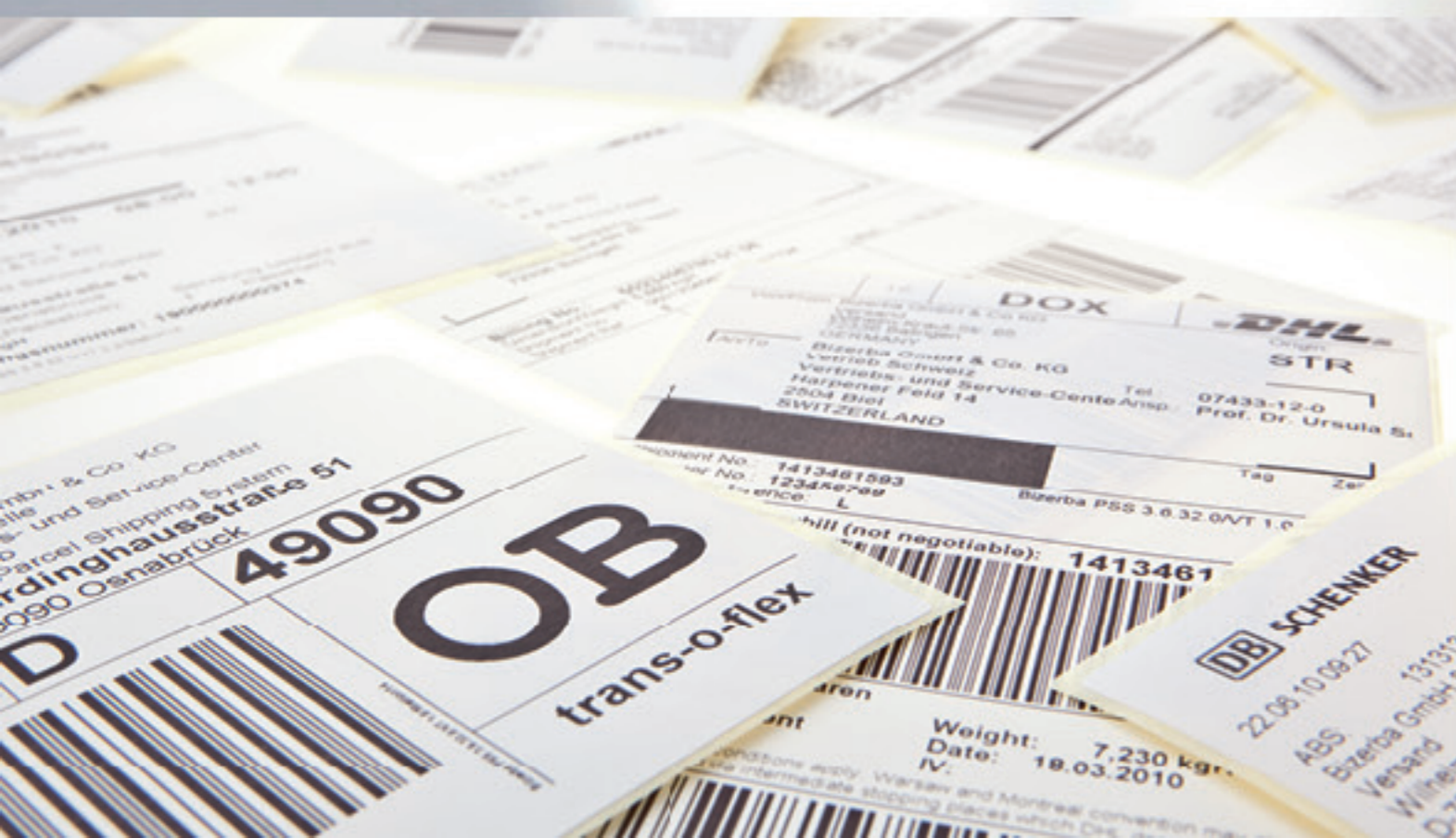
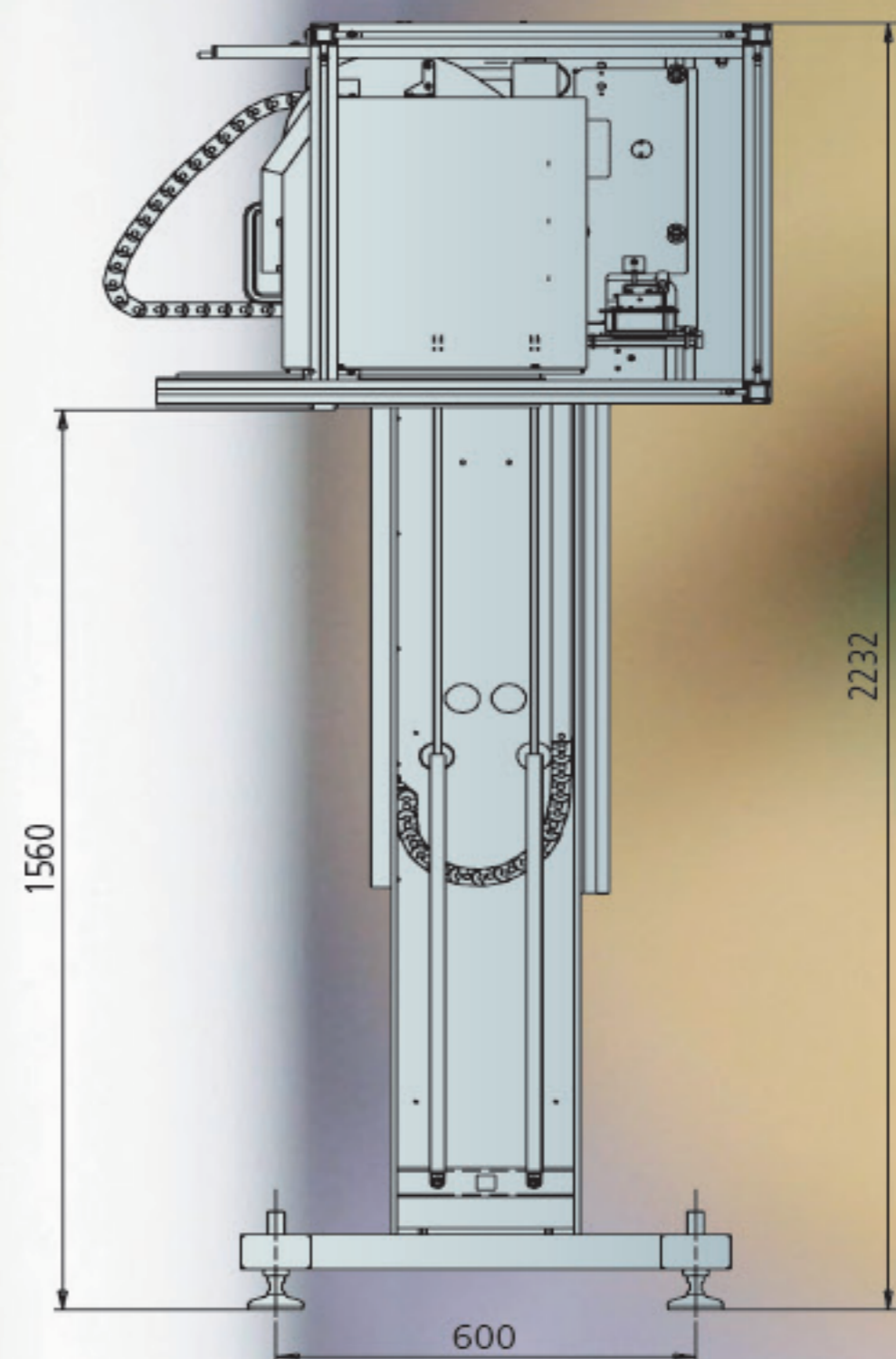
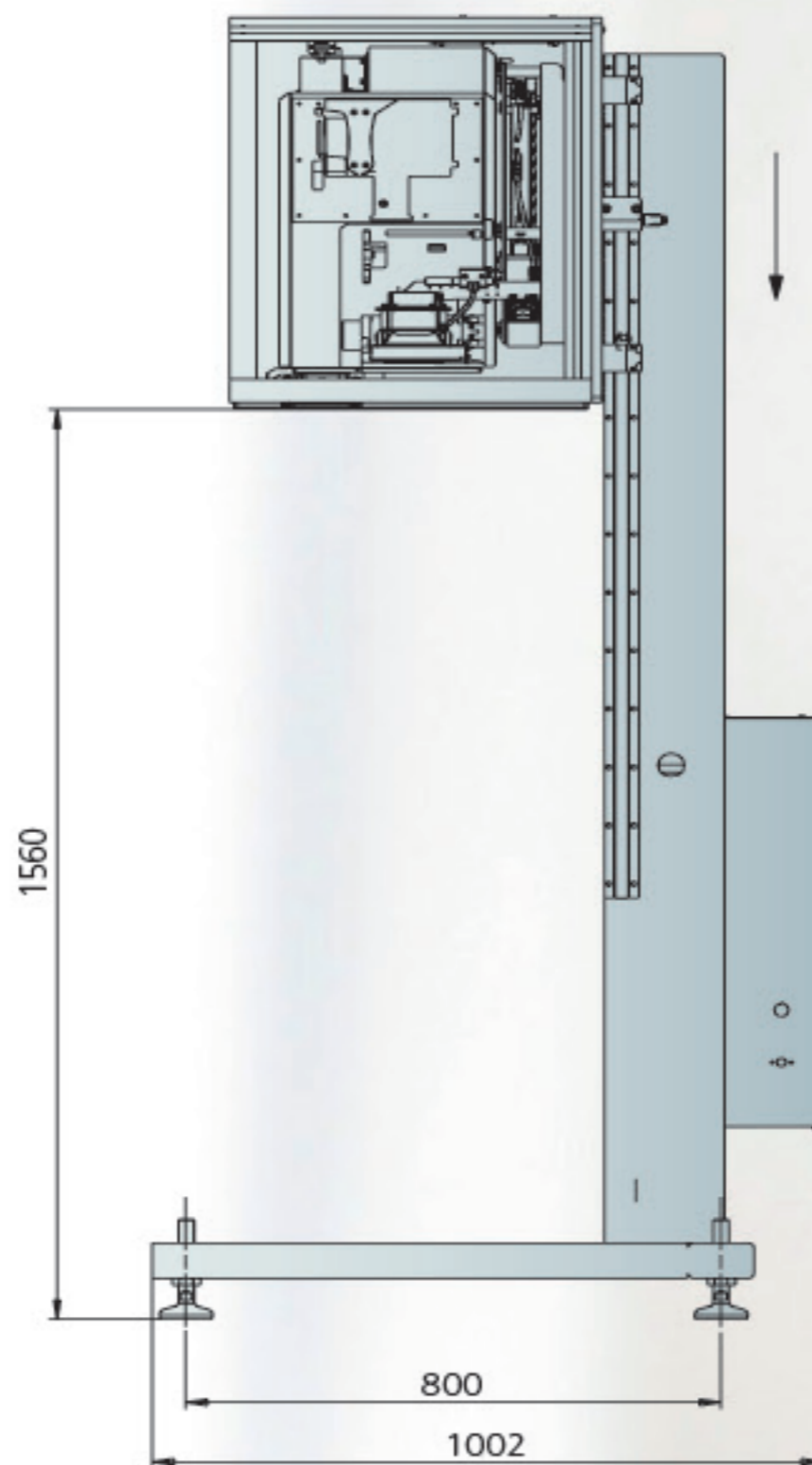
**GLM-B 350 T**



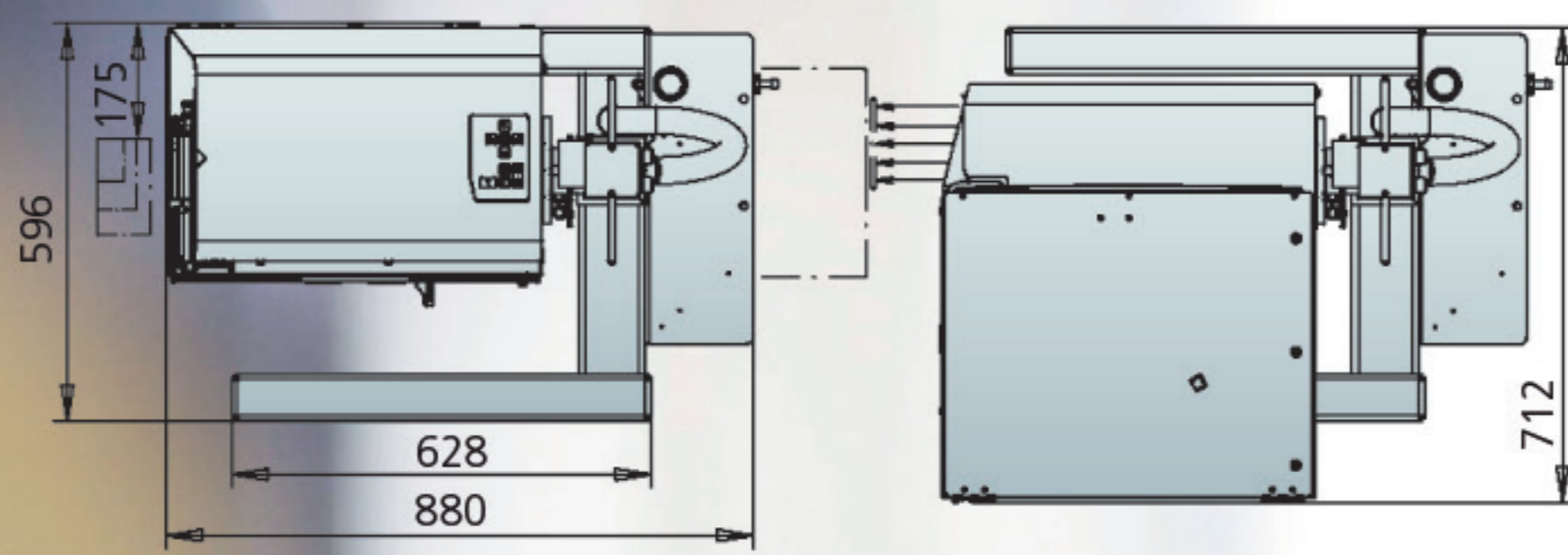
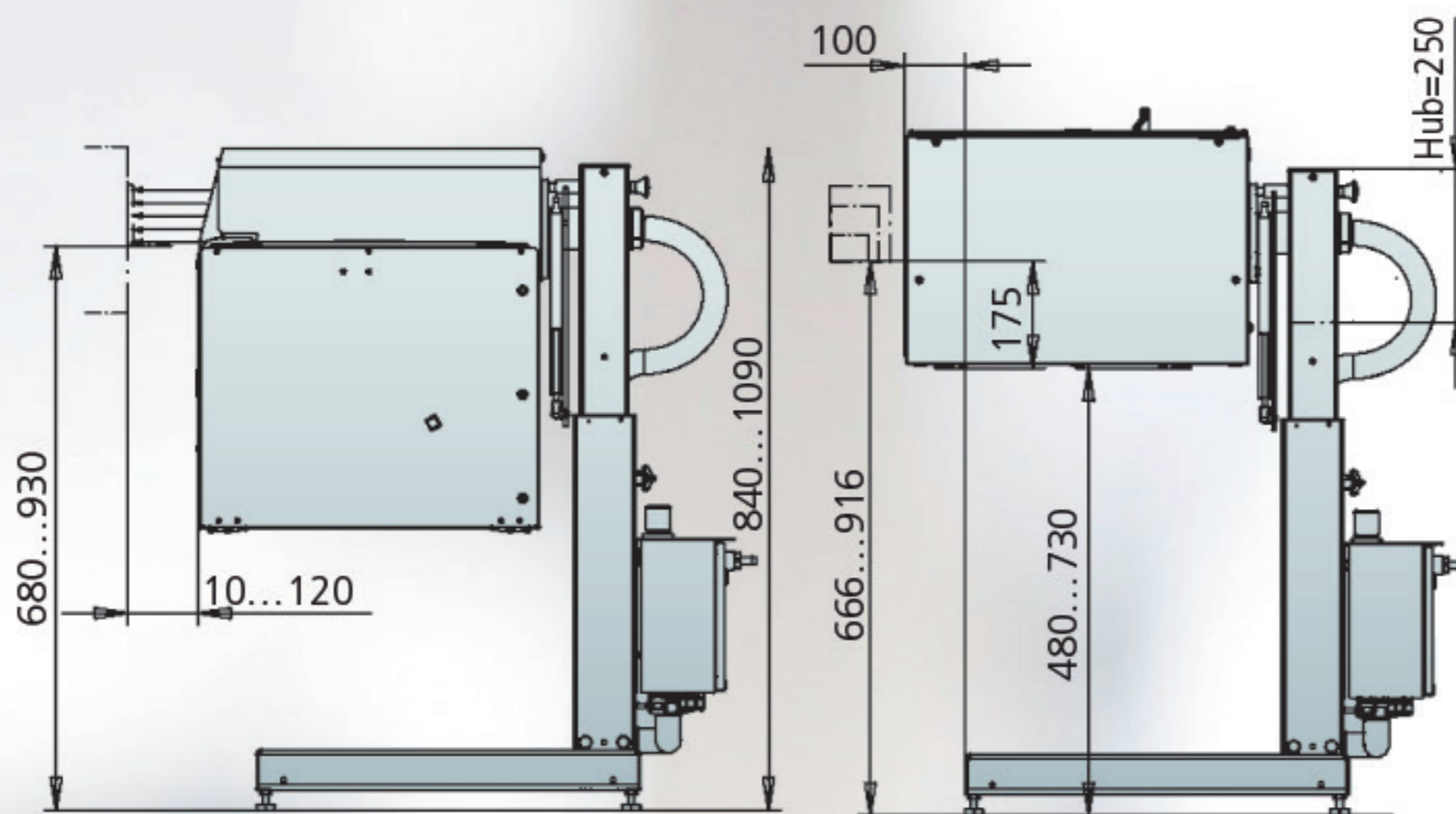
GLM-B 120 T



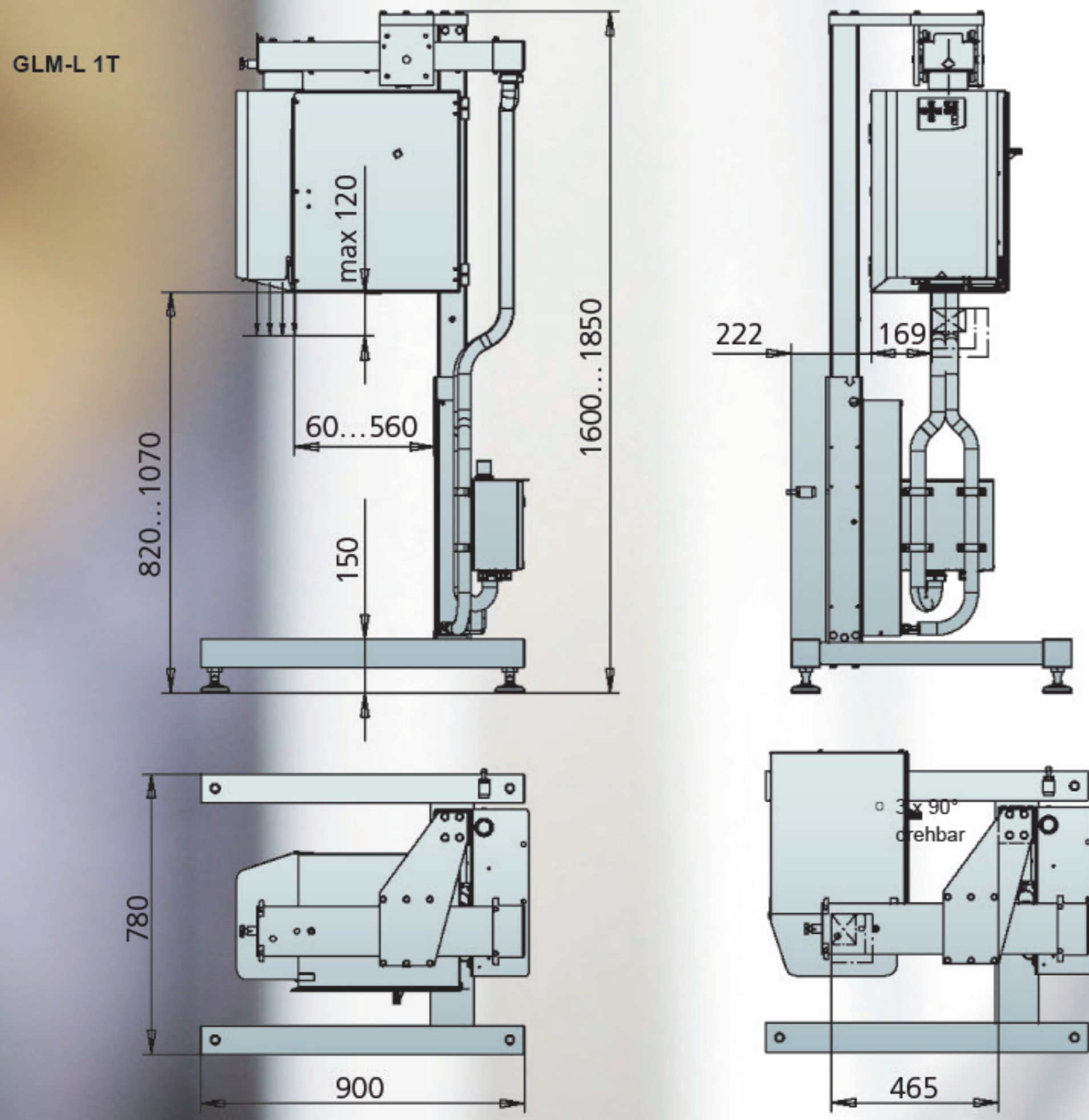
GLM-B 150 F



**BIZERBA**  
 ... closer to your business



GLM-L 1S



GLM-L 1T

	GLM-L	GLM-B 120	GLM-B 150 F / 350 / 700
<ul style="list-style-type: none"> <li>Display/Keyboard 显示器/键盘</li> </ul>	Optional GT-12 C, GT-NT or e-Service, operating concept with one or more displays per line or network 可选GT-12C, GT - NT或e-Service, 每条线1台或多台显示器或联网操作		
<ul style="list-style-type: none"> <li>Printer 打印机</li> </ul>			
Direct thermal (optional thermal transfer) 热敏式 (可选热转印式)	x	x	x
Print resolution 8 dot/mm (optional 12 dot/mm) 打印分辨率8点/mm (可选12点/mm)	x	x	x
Print width 80 mm (optional 104 mm) 打印宽度80mm (可选104mm)	x	x	x
Print width 168 mm 打印宽度168mm	x	---	x
Print speed 150 mm/s (optional 250 mm/s) 打印速度150mm/秒 (可选250mm/秒)	x	x	x
Max. label width 最大标签宽度	170 mm	120 mm	150 mm
<ul style="list-style-type: none"> <li>Label reel 标签卷</li> </ul>	Core 74-82 mm (optional 99-107 mm) 74-82mm内径 (可选99-107mm) outside 300 mm 300mm外径		Core 40-76 mm, 40-76mm内径 outside 300 mm 300mm外径
<ul style="list-style-type: none"> <li>Label dimensions 标签尺寸</li> </ul>	30 x 30 mm - 100 x 150 mm	30 x 30 mm - 100 x 150 mm	150 x 210 mm
<ul style="list-style-type: none"> <li>Thermal transfer ribbon 热转印碳带</li> </ul>	Core 25,4 mm, outside 80 mm (400 RM) 内径25.4mm, 外径80mm (400RM)		
<ul style="list-style-type: none"> <li>Labeller technology 贴标方式</li> </ul>	Air jet application (compressed air supply, 6 bar), Piston application (compressed air supply, 2 bar), swingarm, depends on model 吹气式 (压缩空气, 6bar), 活塞式 (压缩空气, 2bar), 旋转臂式, 取决于型号		
<ul style="list-style-type: none"> <li>Piston plate 活塞板</li> </ul>	--	--	Tamp blow, Tamp contact 夯实吹, 夯实打
<ul style="list-style-type: none"> <li>Labeller position 贴标位置</li> </ul>			
Manual height and lateral adjustment 手动纵向和横向调整	(lateral adjustment 500 mm) (横向调整500mm)	x	x
Optional motor drive 可选的电机驱动	(lateral adjustment 260 mm) (横向调整260mm)	--	--
<ul style="list-style-type: none"> <li>Package size 适用产品包装尺寸</li> </ul>	Depends on customer application 取决于客户的应用		
<ul style="list-style-type: none"> <li>Labelling capacity 贴标速度</li> </ul>	Depends on customer application 取决于客户的应用		up to 45 ppm 高达45 PPM
<ul style="list-style-type: none"> <li>Construction 结构</li> </ul>	Stainless steel 不锈钢	Plastic housing, frame: aluminium-steel coating 塑料外壳, 支架: 铝钢涂层	
<ul style="list-style-type: none"> <li>Bar code variants 条形码规格</li> </ul>	EAN/UPC 8, EAN/UPC 13, EAN/UPC 128, Code 128, Code 39, 2/5 Int., ITF, PDF 417, PDF 417 AI, GS1-Databar-family, Datamatrix, Maxicode, QR-Code		
<ul style="list-style-type: none"> <li>Interfaces 接口</li> </ul>	RS 485 (Profibus), Ethernet TCP/IP (optional RS 232, RS 422, TTY) 以太网TCP/IP (可选RS - 232, RS422, TTY)		
<ul style="list-style-type: none"> <li>Scale connection 秤连接</li> </ul>	x	x	x
<ul style="list-style-type: none"> <li>Mains voltage 电源电压</li> </ul>	230 V/50 Hz, 120 V/60 Hz		
<ul style="list-style-type: none"> <li>Operating temperature 工作温度</li> </ul>	0 °C to + 40 °C (standby -10 °C), relative humidity: 20-90 % non-condensing 0° C至+40° C (待机-10° C), 相对湿度: 20-90%非冷凝		
<ul style="list-style-type: none"> <li>Degree of protection 保护等级</li> </ul>	IP 20/CE/UL (printer), IP 54/CE/UL (terminal, switch cabinet) IP20/CE/UL (打印机), IP54/CE/UL (端子, 开关柜)		
<ul style="list-style-type: none"> <li>Memory 内存</li> </ul>	2 MB (optional 6 MB or 10 MB) 2 MB (可选6 MB或10 MB)		
<ul style="list-style-type: none"> <li>Communication 通讯</li> </ul>	GXNet, Windows printer driver, ZPL II (converter via Ethernet to PC) GXNet, Windows打印机驱动程序, ZPL II (通过以太网转换器到PC)		
<ul style="list-style-type: none"> <li>Additional equipment 附加设备</li> </ul>	Integrated RFID write unit UHF smart labels	--	--
	集成RFID写入单元UHF智能标签		

